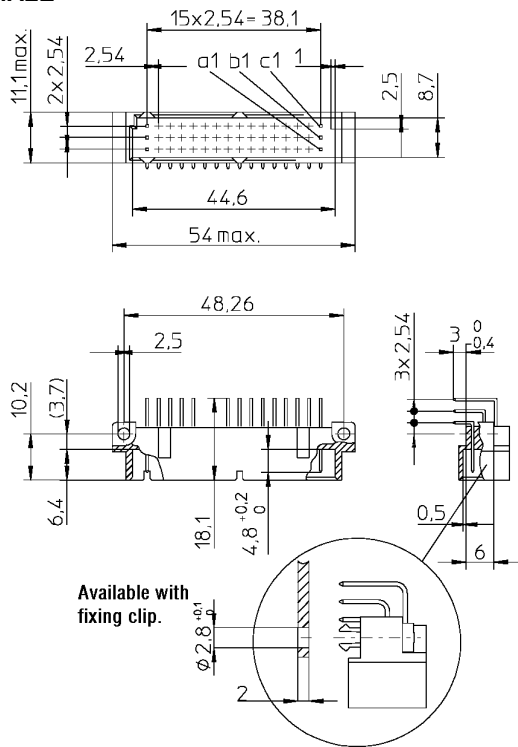
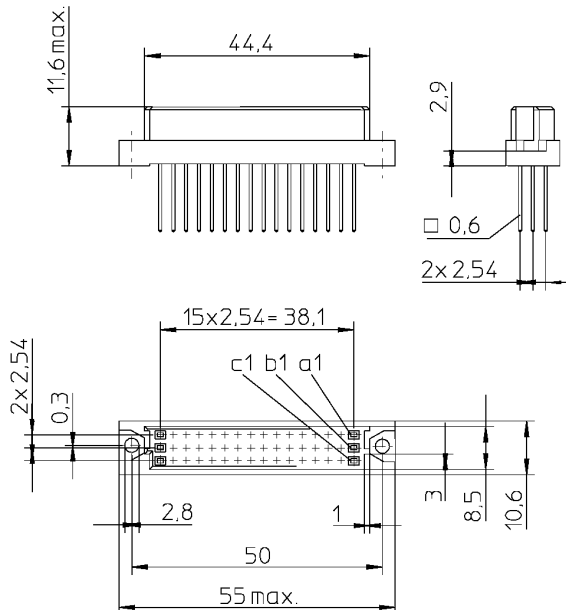


TWO-PART CONNECTORS FOR PRINTED BOARDS

MALE



FEMALE



TYPE C/2

Half length of type C in
IEC 603 and
DIN 41612

MATERIALS

Connector body	Glass fiber filled polyester
Female contact	Phosphor bronze
Male contact	Copper alloy
Contact plating	Gold over nickel or.. Gold flash over nickel- palladium over nickel

ELECTRIC DATA

Current rating	1.5 A at 20 °C 1 A at 80 °C 0.75 A at 100 °C
Proof voltage	Contact/contact 1000 V (rms) Contact/test panel 1550 V (rms)
Insulation resistance	≥ 10 ⁶ MΩ
Contact resistance	≤ 20 mΩ

PHYSICAL DATA

Temperature range	-55 °C...+125 °C
Flammability	UL 94 V-O
Insertion force	32 pole ≤ 30 N 48 pole ≤ 50 N
Retention force	≥ 0.15 N/contact pair

Mechanical endurance, salt mist, industrial atmosphere and other requirements according to IEC 603.

QUALITY DATA

Contact surfaces mechanically polished.
Dual-beam female contact profiled to trapezoidal form.

VK or P

— C/2

032

M

S

— C1

A

— 0,8 /

5

—001

-NP

C/2

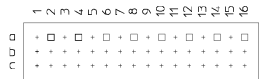
CONNECTOR TYPE

Two row body 1A
Half length

C/2

032

CONTACT ARRANGEMENT AND NUMBER OF POSITIONS



008



016



024



032



048



A16



B16



X16



B32

Special types

Z

M

TYPE OF CONTACT

Female

F

Male

M

S

TYPE OF TERMINATION

Solder

S

Wrap

W

Press-in

P

C1

Complete connector with contact finish of gold

A

TERMINATION STYLE

	F	FP	M	MP
Right angle solder tail for 1.6 mm thick boards	A			
Straight solder tail for 1.6 mm thick boards	D			
Straight solder tail for 2.4 mm thick boards (Press-in from 1.5 to 4.0 mm)	E			
Wire wrap tail	F			
Wire wrap tail	H			
Hand solder eyelet	O			

0,8

CONTACT FINISH

0,8	0.8 µm hard gold over 2 µm nickel
1,25	1.25 µm hard gold over 2 µm nickel
2,5	2.5 µm hard gold over 3 µm nickel
...	other platings on request

5

TERMINATION FINISH

1	1 µm tinlead over nickel on press-in area
5	5 µm tin over nickel
1,25	1.25 µm gold over nickel on contact area (5mm from the end)
0,1	0.1 µm gold over nickel
...	other platings on request

-001

MARKING FOR SPECIAL TYPES

Eg	First Make – Last Break Option: Male pins in any row may be extended 0.50 mm for ground before signal applications, please contact manufacturer.
E	Female body without mounting flanges See separate leaflet.

-NP

ALTERNATIVE CONTACT FINISH

Gold flash over nickel palladium over nickel