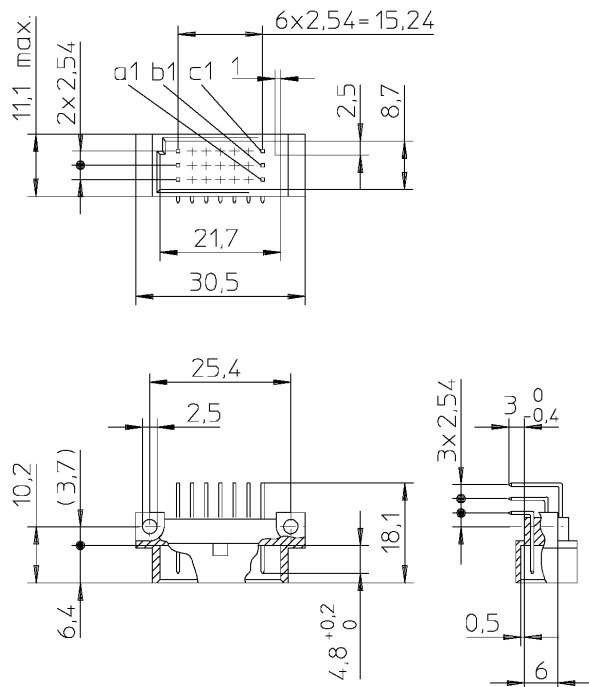
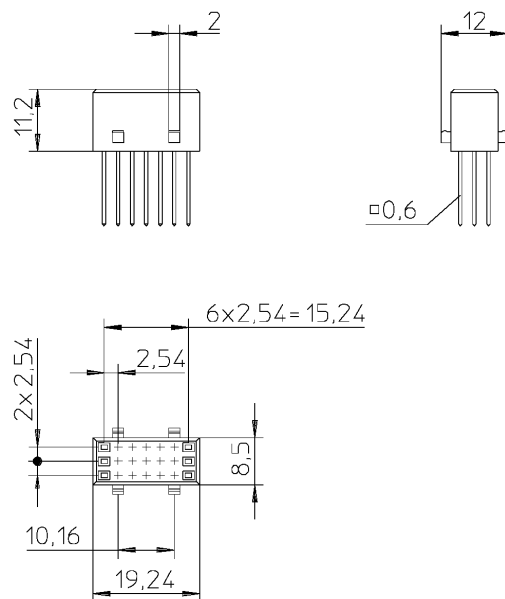


## TWO-PART CONNECTORS FOR PRINTED BOARDS

### MALE



### FEMALE



### TYPE C/4

IEC 603  
DIN 41612  
Complementary to type C

### MATERIALS

Connector body	Glass fiber filled polyester
Female contact	Phosphor bronze
Male contact	Copper alloy
Contact plating	Gold over nickel or.. Gold flash over nickel - palladium over nickel

### ELECTRIC DATA

Current rating	1.5 A at 20 °C 1 A at 80 °C 0.75 A at 100 °C
Proof voltage	Contact/contact 1000 V (rms) Contact/test panel 1550 V (rms)
Insulation resistance	$\geq 10^6$ M $\Omega$
Contact resistance	$\leq 20$ m $\Omega$
Minimum distance	
between	Creepage      Clearance
- adjacent contacts	1.2 mm      1.2 mm
- contact and chassis	1.8 mm      1.6 mm

### PHYSICAL DATA

Temperature range	-55 °C...+125 °C
Flammability	UL 94 V-O
Insertion force	21 pole $\leq$ 20 N
Retention force	$\geq 0.15$ N/contact pair

Mechanical endurance, salt mist, industrial atmosphere and other requirements according to IEC 603.

### QUALITY DATA

Contact surfaces mechanically polished.  
Dual-beam female contact profiled to trapezoidal form.  
Half length of female C/4 is also available (3x3 pos.)

Frames, see C/4L.  
Housings, see C/4H.

**VK or P** – **C/4** **014** **M** **S** – **C1** **A** – **0,8** / **5** **-001** **-NP**

<b>C/4</b>	CONNECTOR TYPE	
Three row body 1A Quarter length C	C/4	

<b>014</b>	CONTACT ARRANGEMENT AND NUMBER OF POSITIONS	
	008	
	012	
	014	
	021	
	A07	
	B07	
	X10	
	B14	
Special types	Z	

<b>M</b>	TYPE OF CONTACT	
Female	F	
Male	M	

<b>S</b>	TYPE OF TERMINATION	
Solder	S	
Wrap	W	
Press-in	P	

<b>C1</b>	Complete connector with contact finish of gold	
-----------	--	--

<b>A</b>	TERMINATION STYLE				
		F	FP	M	MP
Right angle solder tail for 1.6 mm thick boards	A				
Straight solder tail for 1.6 mm thick boards	D				
Straight solder tail for 2.4 mm thick boards (Press-in from 1.5 to 4.0 mm)	E				
Wire wrap tail	F				
Wire wrap tail	H				
Hand solder eyelet	O				

<b>0,8</b>	CONTACT FINISH	
0,8	0.8 µm hard gold over 2 µm nickel	
1,25	1.25 µm hard gold over 2 µm nickel	
2,5	2.5 µm hard gold over 3 µm nickel	
...	other platings on request	

<b>5</b>	TERMINATION FINISH	
1	1 µm tinlead over nickel on press-in area	
5	5 µm tin over nickel	
1,25	1.25 µm gold over nickel on contact area (5mm from the end)	
0,1	0.1 µm gold over nickel	
...	other platings on request	

<b>-001</b>	MARKING FOR SPECIAL TYPES	
Eg	First Make – Last Break Option: Male pins in any row may be extended 0.50 mm for ground before signal applications, please contact manufacturer.	

<b>-NP</b>	ALTERNATIVE CONTACT PLATING	
	Gold flash over nickel palladium over nickel	