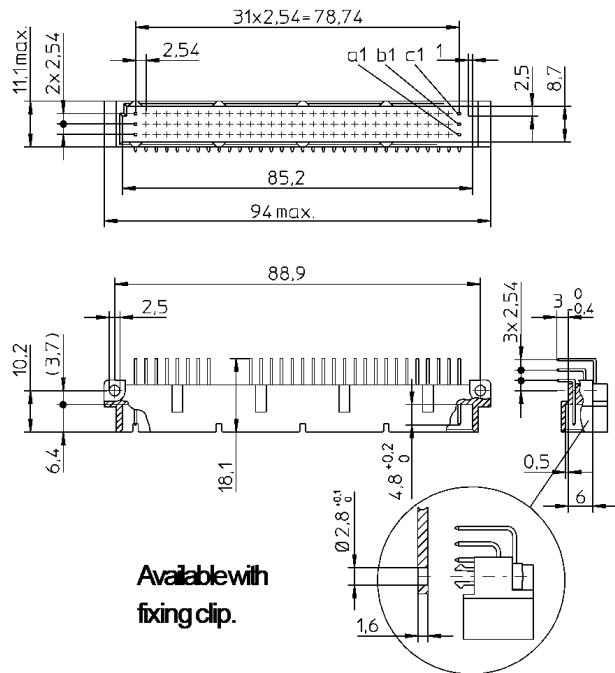
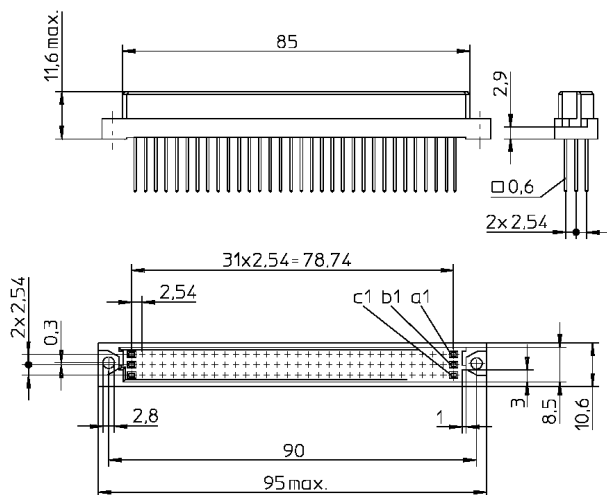


TWO-PART CONNECTORS FOR PRINTED BOARDS

MALE



FEMALE



TYPE C

IEC 603
DIN 41612

MATERIALS

Connector body	Glass fiber filled polyester
Female contact	Phosphor bronze
Male contact	Copper alloy
Contact plating	Gold over nickel or.. Gold flash over nickel- palladium over nickel

ELECTRIC DATA

Current rating	1.5 A at 20 °C 1 A at 80 °C 0.75 A at 100 °C
Proof voltage	Contact/contact 1000 V (rms) Contact/test panel 1550 V (rms)
Insulation resistance	$\geq 10^6$ M Ω
Contact resistance	≤ 20 m Ω

PHYSICAL DATA

Temperature range	-55 °C...+125 °C
Flammability	UL 94 V-O
Insertion force	32 pole ≤ 30 N 64 pole ≤ 60 N 96 pole ≤ 90 N
Retention force	≥ 0.15 N/contact pair

Mechanical endurance, salt mist, industrial atmosphere and other requirements according to IEC 603.

QUALITY DATA

Contact surfaces mechanically polished.
Dual-beam female contact profiled to trapezoidal form.

Frames, see C/1L or PC/1L.

VK or P – **C** **064** **M** **S** – **C1** **A** – **0,8** / **5** **-001** **-NP**

C	CONNECTOR TYPE	
	Three row body 1A	C

064	CONTACT ARRANGEMENT AND NUMBER OF POSITIONS	
		016
		032
		048
		064
		096
		A32
		B32
		X32
		B64
	Special types	Z

M	TYPE OF CONTACT	
	Female	F
	Male	M

S	TYPE OF TERMINATION	
	Solder	S
	Wrap	W
	Press-in	P

C1	Complete connector with contact finish of gold
-----------	--

A	TERMINATION STYLE				
		F	FP	M	MP
	Right angle solder tail for 1.6 mm thick boards				
	Straight solder tail for 1.6 mm thick boards				
	Straight solder tail for 2.4 mm thick boards (Press-in from 1.5 to 4.0 mm)				
	Wire wrap tail				
	Wire wrap tail				
	Hand solder eyelet				

0,8	CONTACT FINISH	
0,8	0.8 µm hard gold over 2 µm nickel	
1,25	1.25 µm hard gold over 2 µm nickel	
2,5	2.5 µm hard gold over 3 µm nickel	
...	other platings on request	

5	TERMINATION FINISH	
1	1 µm tinlead over nickel on press-in area	
5	5 µm tin over nickel	
1,25	1.25 µm gold over nickel on contact area (5mm from the end)	
0,1	0.1 µm gold over nickel	
...	other platings on request	

-001	MARKING FOR SPECIAL TYPES	
Eg.	First make – Last Break Option: Male pins in any row may be extended 0.50 mm for ground before signal applications, please contact manufacturer.	

-NP	ALTERNATIVE CONTACT FINISH	
	Gold flash over nickel palladium over nickel	