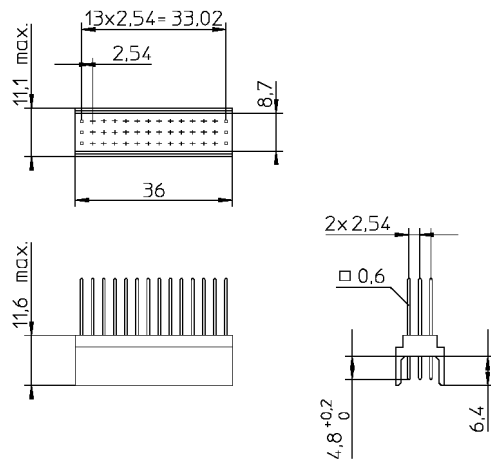
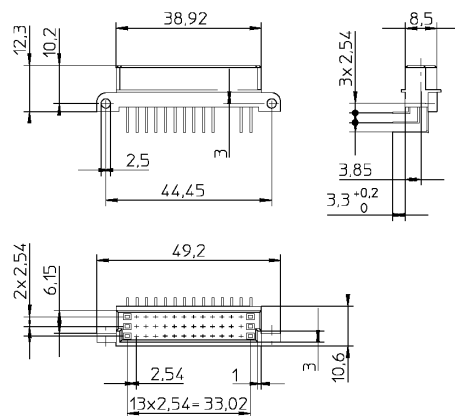


TWO-PART CONNECTORS FOR PRINTED BOARDS

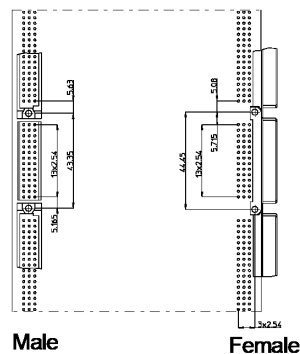
MALE



FEMALE



BOARD DRILLINGS



TYPE I

IEC 603
DIN 41612
Complementary to type R

MATERIALS

Connector body	Glass fiber filled polyester
Female contact	Phosphor bronze
Male contact	Copper alloy
Contact plating	Gold over nickel or.. Gold flash over nickel- palladium over nickel

ELECTRIC DATA

Current rating	1.5 A at 20 °C 1 A at 80 °C 0.75 A at 100 °C	
Proof voltage	Contact/contact 1000 V (rms) Contact/test panel 1550 V (rms)	
Insulation resistance	≥ 10 ⁶ MΩ	
Contact resistance	≤ 20 mΩ	
Minimum distance		
between	Creepage	Clearance
- adjacent contacts	1.2 mm	1.2 mm
- contact and chassis	1.8 mm	1.6 mm

PHYSICAL DATA

Temperature range	-55 °C...+125 °C
Flammability	UL 94 V-O
Insertion force	42 pole ≤ 40 N
Retention force	≥ 0.15 N/contact pair

Mechanical endurance, salt mist, industrial atmosphere and other requirements according to IEC 603.

QUALITY DATA

Contact surfaces mechanically polished.
Dual-beam female contact profiled to trapezoidal form.

Frames, see C/1L or PC/1L.

VK or P – **I** **028** **M** **S** – **C1** **A** – **0,8** / **5** **-001** **-NP**

I	CONNECTOR TYPE	
	Three row body 1A	I

028	CONTACT ARRANGEMENT AND NUMBER OF POSITIONS	
		007
		014
		021
		028
		042
		A14
		B14
		X14
		B28
	Special types	Z

M	TYPE OF CONTACT	
	Female	F
	Male	M

S	TYPE OF TERMINATION	
	Solder	S
	Wrap	W
	Press-in	P

C1	Complete connector with contact finish of gold	
-----------	---	--

A	TERMINATION STYLE			
		F	MP	M
	Right angle solder tail for 1.6 mm thick boards			
	Straight solder tail for 1.6 mm thick boards			
	Straight solder tail for 2.4 mm thick boards			
	Wire wrap tail			
	Wire wrap tail			
	Wire wrap tail			

0,8	CONTACT FINISH	
0,8	0.8 µm hard gold over 2 µm nickel	
1,25	1.25 µm hard gold over 2 µm nickel	
2,5	2.5 µm hard gold over 3 µm nickel	
...	other platings on request	

5	TERMINATION FINISH	
1	1 µm tinlead over nickel on press-in area	
5	5 µm tin over nickel	
1,25	1.25 µm gold over nickel on contact area (5mm from the end)	
0,1	0.1 µm gold over nickel	
...	other platings on request	

-001	MARKING FOR SPECIAL TYPES	
Eg	First Make – Last Break Option: Male pins in any row may be extended 0.50 mm for ground before signal in types D and E.	

-NP	ALTERNATIVE CONTACT FINISH	
	Gold flash over nickel palladium over nickel	