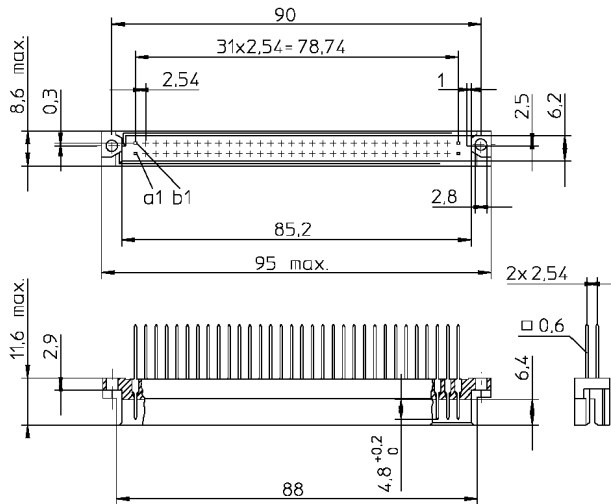
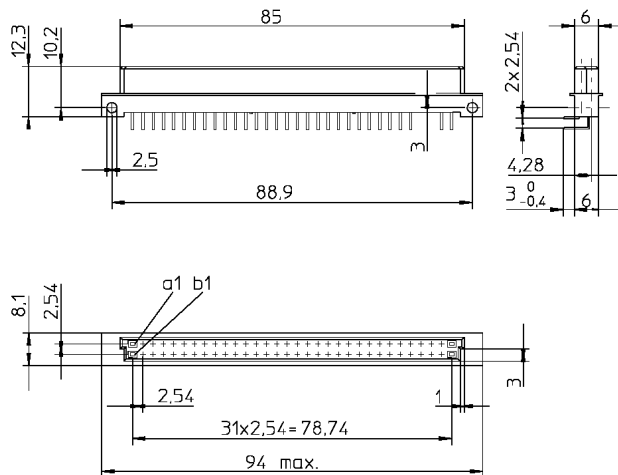


TWO-PART CONNECTORS FOR PRINTED BOARDS

MALE



FEMALE



TYPE Q

IEC 603
DIN 41612

MATERIALS

Connector body	Glass fiber filled polyester
Female contact	Phosphor bronze
Male contact	Copper alloy
Contact plating	Gold over nickel or.. Gold flash over nickel- palladium over nickel

ELECTRIC DATA

Current rating	1.5 A at 20 °C 1 A at 80 °C 0.75 A at 100 °C
Proof voltage	Contact/contact 1000 V (rms) Contact/test panel 1550 V (rms)
Insulation resistance	≥ 10 ⁶ MΩ
Contact resistance	≤ 20 mΩ
Minimum distance	
between	Creepage Clearance
- adjacent contacts	1.2 mm 1.2 mm
- contact and chassis	1.8 mm 1.6 mm

PHYSICAL DATA

Temperature range	-55 °C...+125 °C
Flammability	UL 94 V-O
Insertion force	32 pole ≤ 30 N 64 pole ≤ 60 N
Retention force	≥ 0.15 N/contact pair

Mechanical endurance, salt mist, industrial atmosphere and other requirements according to IEC 603.

QUALITY DATA

Contact surfaces mechanically polished.
Dual-beam female contact profiled to trapezoidal form.

VK or P

Q

064

M

S

C1

A

0,8

5

-001

-NP

Q

CONNECTOR TYPE

Two row body 1A

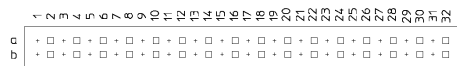
Q

064

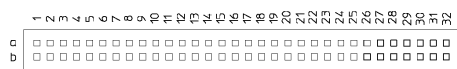
CONTACT ARRANGEMENT AND NUMBER OF POSITIONS



016



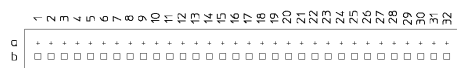
032



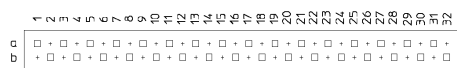
064



A32



B32



X32

Special types

Z

M

TYPE OF CONTACT

Female
Male

F
M

S

TYPE OF TERMINATION

Solder
Wrap

S
W

C1

Complete connector with contact finish of gold

A

TERMINATION STYLE

	F	M
Right angle solder tail for 1.6 mm thick boards	A	
Straight solder tail for 1.6 mm thick boards	D	
Straight solder tail for 2.4 mm thick boards	E	
Wire wrap tail	F	
Wire wrap tail	H	

0,8

CONTACT FINISH

0,8	0.8 µm hard gold over 2 µm nickel
1,25	1.25 µm hard gold over 2 µm nickel
2,5	2.5 µm hard gold over 3 µm nickel
...	other platings on request

5

TERMINATION FINISH

1	1 µm tinlead over nickel on press-in area
5	5 µm tin over nickel
1,25	1.25 µm gold over nickel on contact area (5mm from the end)
0,1	0.1 µm gold over nickel
...	other platings on request

-001

MARKING FOR SPECIAL TYPES

Eg	First Make – Last Break Option: Male pins in any row may be extended 0.50 mm for ground before signal in types D and E.
----	--

-NP

ALTERNATIVE CONTACT FINISH

Gold flash over nickel palladium over nickel