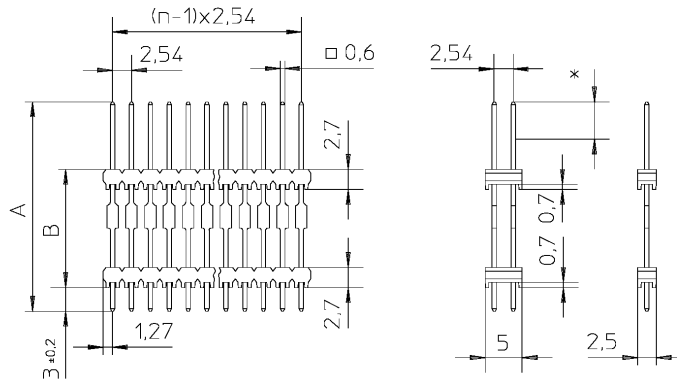
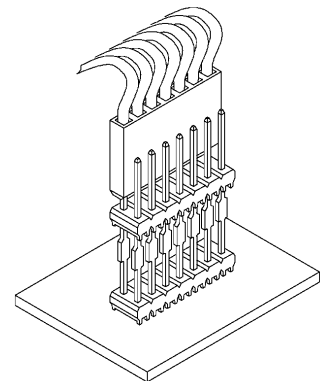
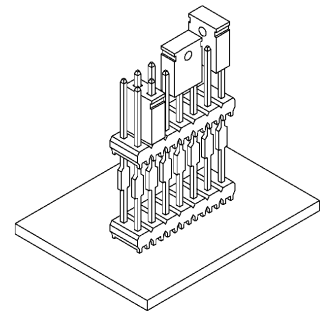
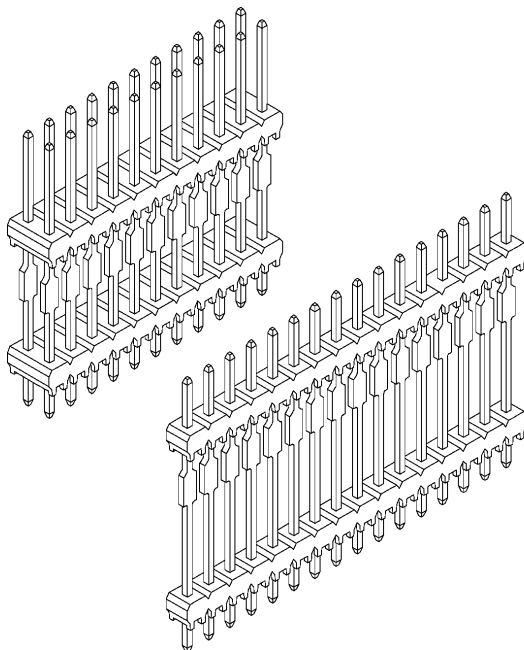


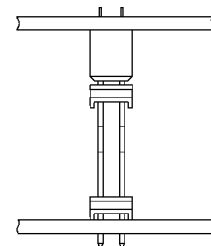
PIN HEADERS TYPE PMH DOUBLE BODY



* Standard gold plating length 5 mm. Other platings on request.



- Suitable for use with PLP connectors and other contacts mating with these pins
- Stackable-to-grid on 2.54 mm spacing
- Standoffs allow cleaning to eliminate soldering contaminations



Valukumpu Oy ■ Raivaajantie 1 ■ FI-80100 Joensuu ■ Finland
 ■ Tel. +358-13-564 320 ■ Fax +358-13-313 3600 ■ www.valukumpu.fi
 ■ e-mail: sales @valukumpu.fi



Valukumpu Oy

TECHNICAL SPECIFICATIONS

MATERIALS	Connector body Contact Plating	Glass fiber filled polyester Copper alloy 5 µm tin over nickel
ELECTRIC DATA	Current rating Proof voltage Insulation resistance	3 A at 20 °C Contact/contact 1000 V (rms) ≥ 10 ⁶ MΩ
PHYSICAL DATA	Temperature range Flammability	-55 °C...+125 °C UL 94 V-O

ORDERING CODE

PMH **8,8/19,8** - **2** x **18** - **0,8/5**

PMH	TYPE
Male Header Double Body	PMH

2	NUMBER OF ROWS
One row	1
Double row	2

8,8/19,8	LENGTH OF PIN (19,8) A	SPACING HEIGHT (8,8) B
	A mm	B mm (min)
	19.8	8.8
	20.3	9.3
	23.1	8.8
	24.9	8.8
	25.4	9.3
	28.2	13.6
	30.5	15.9
	33.0	13.6

18	NUMBER OF PINS IN ONE ROW
On request	1-32

0,8/5	CONTACT AND TERMINATION FINISH
0.8 µm Au on contact area and 5 µm Sn on tails.	0,8/5
0.2 µm Au on contact area and 5 µm Sn on tails. Black body.	0,2/5
5 µm Sn on contacts and tails. Black body.	5
Other platings on request.	