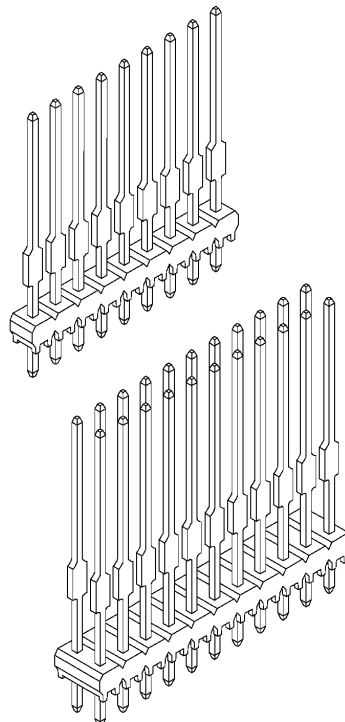
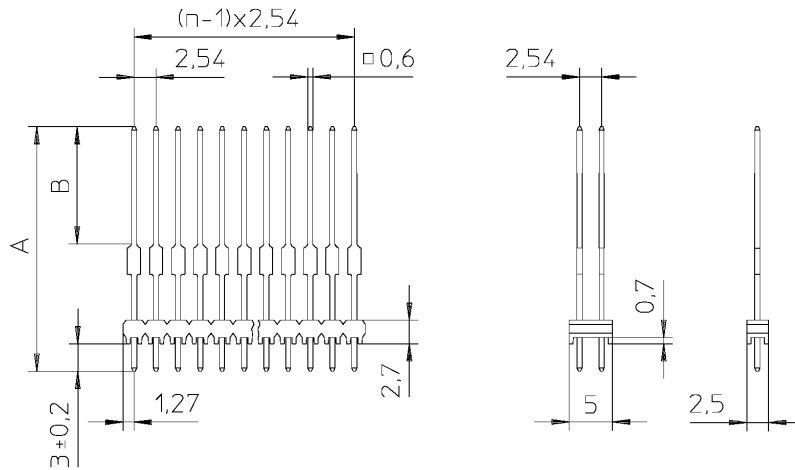
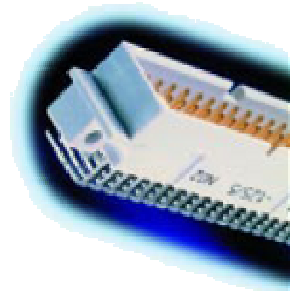


PIN HEADERS TYPE PMH



- Stackable-to-grid on 2.54 mm spacing
- Can be broken off to the required length
- Standoffs allow cleaning to eliminate soldering contaminations

TECHNICAL SPECIFICATIONS

MATERIALS	Connector body Contact Contact plating	Glass fiber filled polyester Copper alloy 5 µm tin over nickel
ELECTRIC DATA	Current rating Proof voltage Insulation resistance	3 A at 20 °C Contact/contact 1000 V (rms) ≥ 10 ⁶ MΩ
PHYSICAL DATA	Temperature range Flammability	-55 °C...+125 °C UL 94 V-O

ORDERING CODE

PMH **15,2** – **1** × **14** – **5**

PMH	TYPE
Male Pin Header	PMH

14	NUMBER OF PINS IN ONE ROW
Standard On request	32 1-31

15,2	PIN LENGTH			
	A mm	max B mm	A mm	max B mm
	14.7	4.9	24.9	15.1
	15.3	5.5	25.4	15.1
	19.8	10.0	28.2	13.6
	20.3	10.0	30.5	13.6
	23.1	13.3	33.0	18.4

5	CONTACT AND TERMINATION FINISH
0.8 µm Au on contact area (5 mm) and 5 µm Sn on tails. Grey body.	0,8/5
0.2 µm Au on contact area (5 mm) and 5 µm Sn on tails. Black body.	0,2/5
5 µm Sn on contacts (5 mm) and tails. Black body.	5
Other platings on request.	

1	NUMBER OF ROWS
One row Double row	1 2