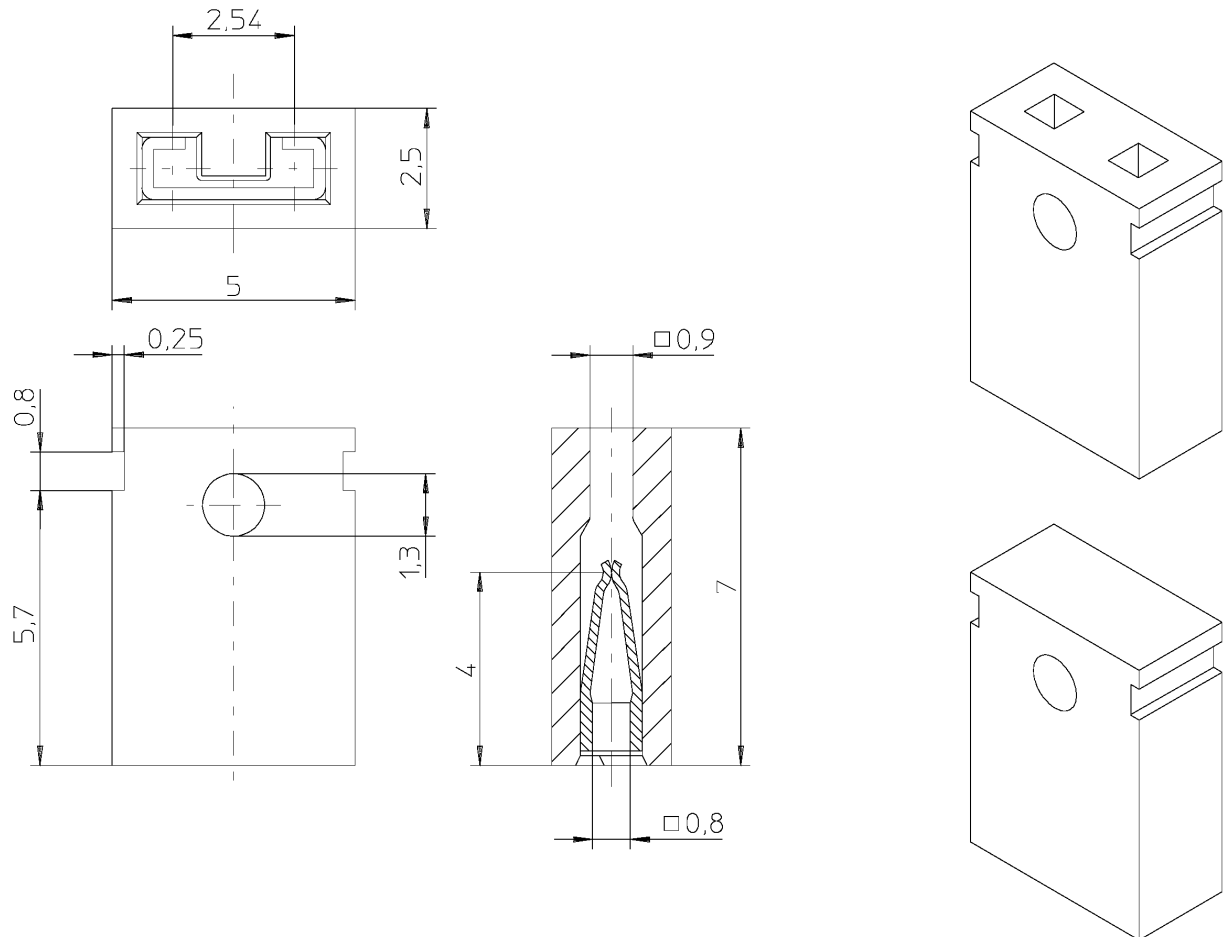


JUMPERS TYPE PU and PUC



- Female connector mating with 0.6 ± 0.04 mm
- Stackable on 2.54 mm spacing
- Double sided contact with pin
- Open top of PU enables stacking of two or more Jumpers on the same pin and allows inspection of contacts and testing with a probe
- Available in different colours

Applications

- Bridging during testing
- Programming or choosing alternative operating modes
- Identification coding of apparatus
- Can be used as switches instead of DIL switches

TECHNICAL SPECIFICATIONS

MATERIALS	Connector body	Polyester UL 94 V-O
	Contact	Phosphor bronze
	Contact plating	Gold over nickel or Gold flash over nickel palladium over nickel
ELECTRIC DATA	Current rating	1 A at 80 °C
	Proof voltage	750 V (rms) 50 Hz
	Insulation resistance	≥ 10 ⁶ MΩ
	Contact resistance	≤ 20 mΩ
PHYSICAL DATA	Temperature range	-55 °C...+125 °C
	Insertion force	2 N/ individual contact
	Withdrawal force	0.4 N/ contact pair
	Mechanical endurance	200 insertions (min)
	Recommended mating pin	
	- size	0.6 ± 0.04 mm
- length	6 mm	

ORDERING CODE

PU – **0,8** – **1**

PU	TYPE OF CONNECTOR	
	Two-part Jumper, stackable	PU
	Two-part Jumper, not stackable	PUC

0,8	CONTACT FINISH	
	0.8 µm hard gold over 2 µm Ni	0.8
	2.5 µm hard gold over 3 µm Ni	2.5
	Other platings on request	...

1	COLOUR CODE	
	Grey (standard)	1
	Green	2
	Blue	3
	Yellow	4
	Red	5
	Brown	6
	Black	7
	Other colours on request	...