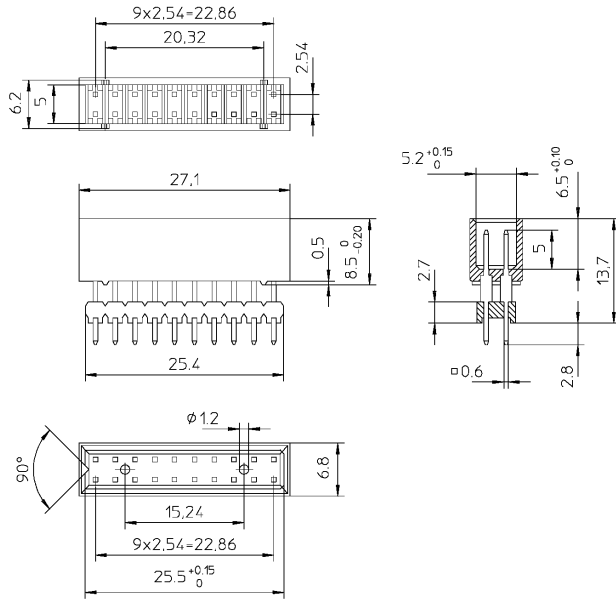
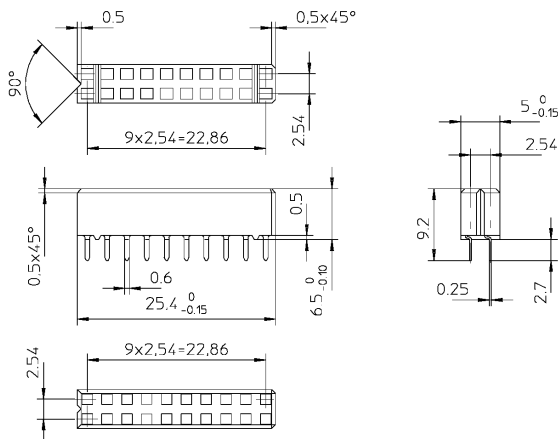


BOARD TO BOARD CONNECTORS

MALE



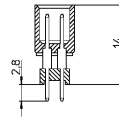
FEMALE IDENTICAL TO PLP



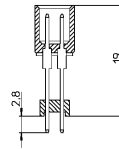
TYPE PBBC

Ordering Code

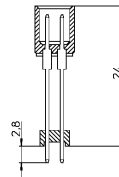
Female connector: identical to PLP
Male connector:



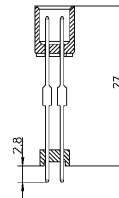
PBBC020MS-C1-14-0,8/5*



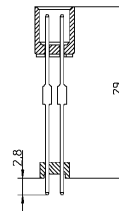
PBBC020MS-C1-19-0,8/5*



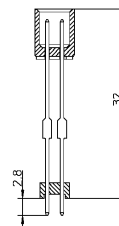
PBBC020MS-C1-24-0,8/5*



PBBC020MS-C1-27-0,8/5*



PBBC020MS-C1-29-0,8/5*



PBBC020MS-C1-32-0,8/5*

*Plating like PLP