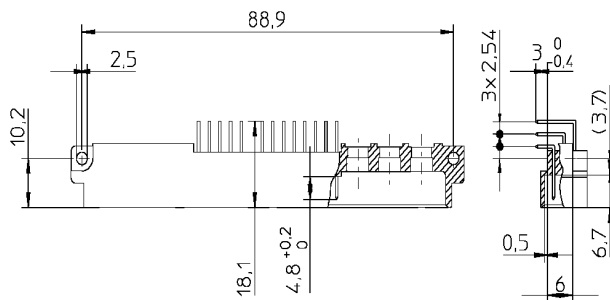
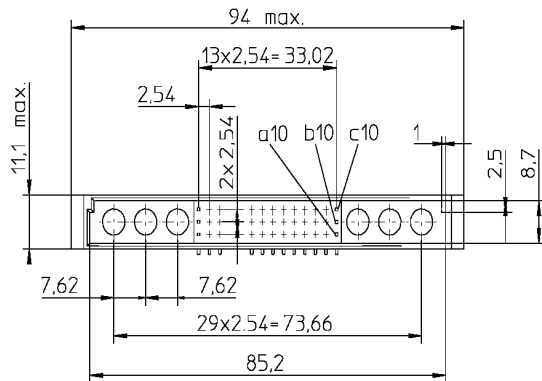
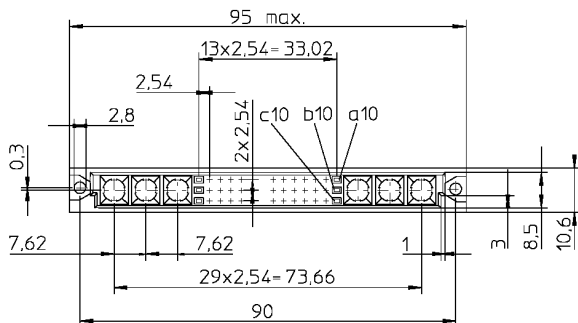
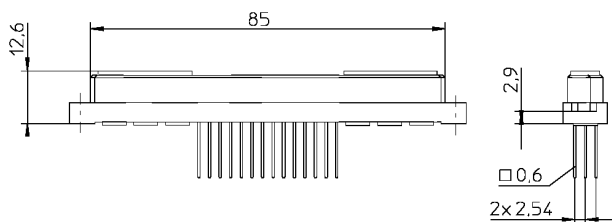


TWO-PART CONNECTORS FOR PRINTED BOARDS

MALE



FEMALE



TYPE M

IEC 603
DIN 41612

MATERIALS

Connector body	Glass fiber filled polyester
Female contact	Phosphor bronze
Male contact	Copper alloy
Contact plating	Gold over nickel or.. Gold flash over nickel- palladium over nickel

ELECTRIC DATA

Current rating	1.5 A at 20 °C
- Normal pins	1 A at 80 °C
	0.75 A at 100 °C
- Power contacts	40 A max
Proof voltage	Contact/contact 1000 V (rms)
	Contact/test panel 1550 V (rms)
Insulation resistance	≥ 10 ⁶ MΩ
Contact resistance	≤ 20 mΩ

PHYSICAL DATA

Temperature range	-55 °C...+125 °C
Flammability	UL 94 V-O
Insertion force	42 pole ≤ 40 N
(without coaxial contacts)	60 pole ≤ 57 N
Retention force	78 pole ≤ 74 N
	≥ 0.15 N/contact pair

Mechanical endurance, salt mist, industrial atmosphere and other requirements according to IEC 603.

QUALITY DATA

Contact surfaces mechanically polished.
Dual-beam female contact profiled to trapezoidal form.

Valukumpu Oy ■ Raivaajantie 1 ■ FI-80100 Joensuu ■ Finland
 ■ Tel. +358-13-564 320 ■ Fax +358-13-313 600 ■ www.valukumpu.fi
 ■ e-mail: sales@valukumpu.fi



Valukumpu Oy

Rev. 1.2

Subject to modifications without prior notice



Valukumpu Oy

VK

- M

052

M

S

- C1

A

- 0,8

/ 5

-001

-NP

M

M

CONNECTOR TYPE

Three row body

M

052

CONTACT ARRANGEMENT AND NUMBER OF POSITIONS

	024
	016
	008
	042
	028
	014
	060
	040
	020
	078
	052
	026

Special types

Z

M

M

TYPE OF CONTACT

Female
Male

F
M

S

S

TYPE OF TERMINATION

Solder
Wrap
Press-in

S
W
P

C1

Complete connector with contact finish of gold

A

A

TERMINATION STYLE

	F	FP	M	MP
Right angle solder tail for 1.6 mm thick boards	A			
Straight solder tail for 1.6 mm thick boards	D			
Straight solder tail for 2.4 mm thick boards (Press-in from 1.5 to 4.0 mm)	E			
Wire wrap tail	F			
Wire wrap tail	H			

0,8

CONTACT FINISH

0,8	0.8 µm hard gold over 2 µm nickel
1,25	1.25 µm hard gold over 2 µm nickel
2,5	2.5 µm hard gold over 3 µm nickel
...	other platings on request

5

TERMINATION FINISH

1	1 µm tinlead over nickel on press-in area
5	5 µm tin over nickel
1,25	1.25 µm gold over nickel on contact area (5mm from the end)
0,1	0.1 µm gold over nickel
...	other platings on request

-001

MARKING FOR SPECIAL TYPES

Eg. First make – Last Break Option:
Male pins in any row may be extended 0.50 mm for ground before signal applications.

-NP

ALTERNATIVE CONTACT FINISH

Gold flash over nickel palladium over nickel

Valukumpu Oy ■ Raivaajantie 1 ■ FI-80100 Joensuu ■ Finland
 ■ Tel. +358-13-564 320 ■ Fax +358-13-313 600 ■ www.valukumpu.fi
 ■ e-mail: sales@valukumpu.fi



Valukumpu Oy

Rev. 1.2

Subject to modifications without prior notice

