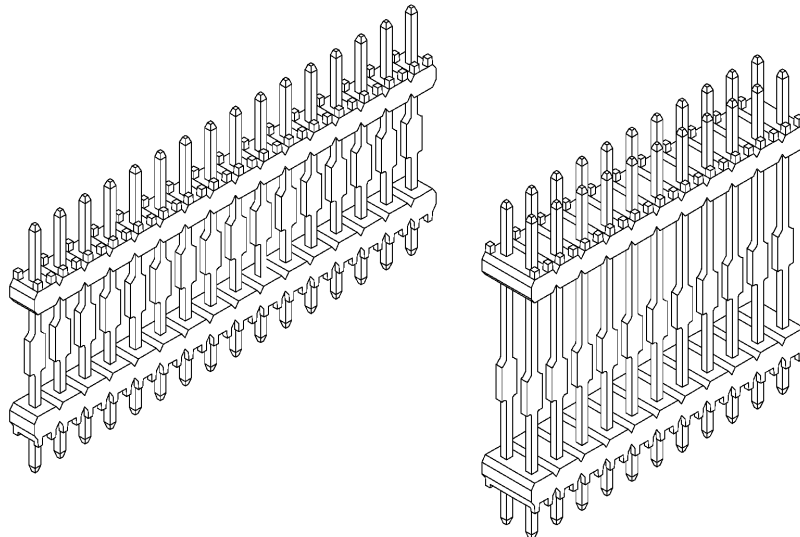
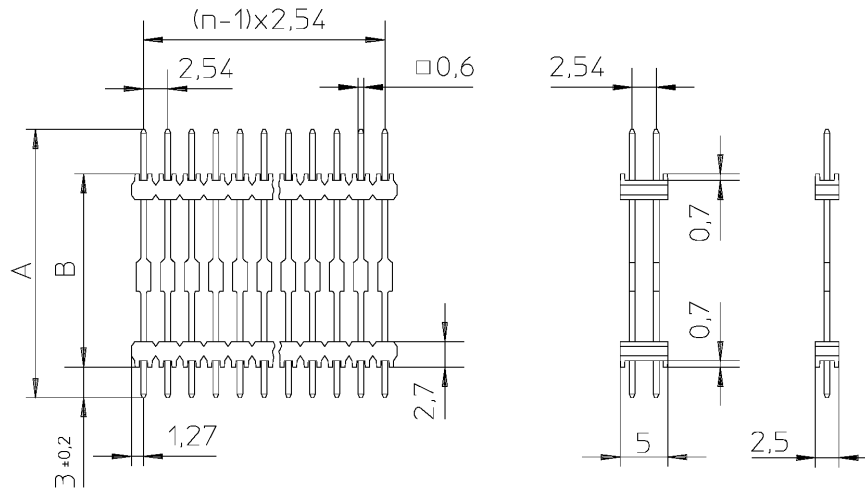




## PIN HEADERS TYPE PHD



- Maintains fixed spacing in sandwich configuration
- Stackable-to-grid on 2.54 mm spacing
- Standoffs allow cleaning to eliminate soldering contaminations

## TECHNICAL SPECIFICATIONS

|               |  |  |
|---------------|--|--|
| MATERIALS     | Connector body<br>Contact<br>Contact plating | Glass fiber filled polyester<br>Copper alloy<br>5 µm tin over nickel |
| ELECTRIC DATA | Current rating                               | 3 A at 20 °C   |
| PHYSICAL DATA | Temperature range<br>Flammability            | -55 °C...+125 °C<br>UL 94 V-0  |

## ORDERING CODE

**PHD** **13,4/19,8** - **1** x **14** - **5**

|                         |      |
|-------------------------|------|
| <b>PHD</b>              | TYPE |
| Male Header Double Body | PHD  |

|            |                |
|------------|----------------|
| <b>1</b>   | NUMBER OF ROWS |
| One row    | 1              |
| Double row | 2              |

|                  |   |
|------------------|---|
| <b>13,4/19,8</b> | LENGTH OF PIN (19,8) A<br>SPACING HEIGHT (13,4) B |
| A mm             | B mm (min)  |
| 15.0             | 9.5   |
| 15.5             | 10.0  |
| 15.3             | 8.7   |
| 19.8             | 9.5   |
| 20.3             | 10.0  |
| 23.1             | 9.5   |
| 24.9             | 9.5   |
| 25.4             | 10.0  |
| 28.2             | 14.3  |
| 30.5             | 16.6  |
| 33.0             | 14.3  |

|            |                           |
|------------|---------------------------|
| <b>14</b>  | NUMBER OF PINS IN ONE ROW |
| On request | 1-32                      |

|   |        |
|---|--------|
| <b>5</b>                                      | FINISH |
| 5 µm Sn on tails<br>Other platings on request | 5      |