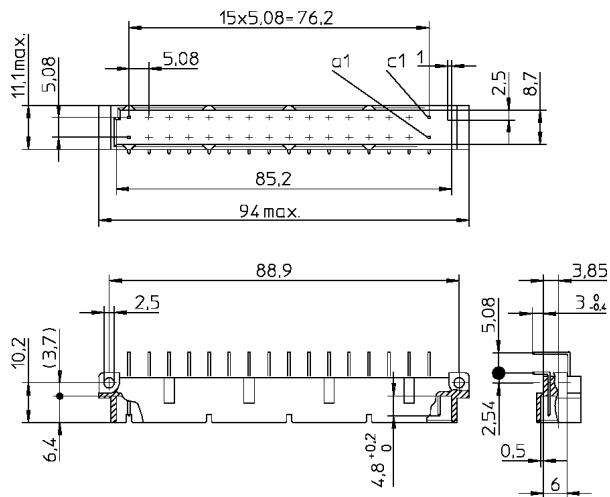
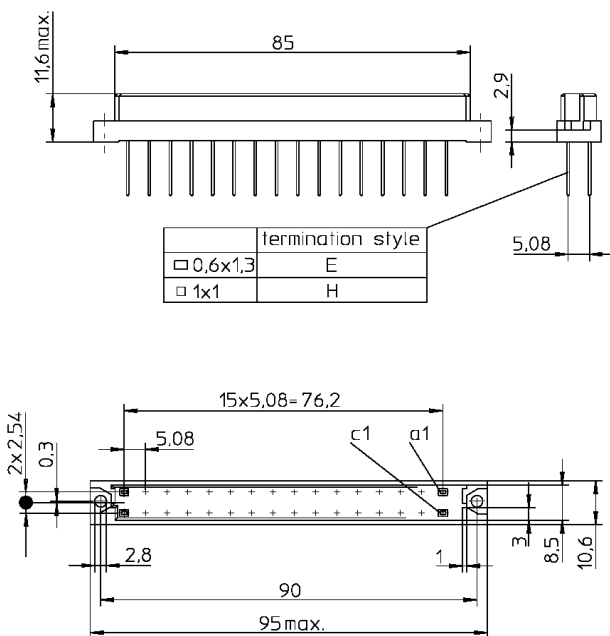


## TWO-PART CONNECTORS FOR PRINTED BOARDS

### MALE



### FEMALE



### TYPE D

IEC 603  
DIN 41612

### MATERIALS

Connector body	Glass fiber filled polyester
Female contact	Phosphor bronze
Male contact	Copper alloy
Contact plating	Gold over nickel or.. Gold flash over nickel- palladium over nickel

### ELECTRIC DATA

Current rating	5.5 A at 20 °C 4 A at 80 °C 2.5 A at 100 °C	
Proof voltage	Contact/contact 1550 V (rms) Contact/test panel 1550 V (rms)	
Insulation resistance	≥ 10 <sup>6</sup> MΩ	
Contact resistance	≤ 15 mΩ	
Minimum distance		
between	Creepage	Clearance
- adjacent contacts	3.0 mm	3.0 mm
- contact and chassis	1.8 mm	1.6 mm

### PHYSICAL DATA

Temperature range	-55 °C...+125 °C
Flammability	UL 94 V-O
Insertion force	32 pole ≤ 30 N
Retention force	≥ 0.15 N/contact pair

Mechanical endurance, salt mist, industrial atmosphere and other requirements according to IEC 603.

### QUALITY DATA

Contact surfaces mechanically polished.  
Dual-beam female contact profiled to trapezoidal form.

Valukumpu Oy ■ Raivaajantie 1 ■ FI-80100 Joensuu ■ Finland  
■ Tel. +358-13-564 320 ■ Fax +358-13-313 600 ■ www.valukumpu.fi  
■ e-mail: sales @valukumpu.fi



Valukumpu Oy

Rev. 1.2

**VK or P** – **D** **032** **M** **S** – **C1** **A** – **0,8** / **5** **-001** **-NP**

<b>D</b>	CONNECTOR TYPE	
	Two row body 4A	D

<b>032</b>	CONTACT ARRANGEMENT AND NUMBER OF POSITIONS																																	
	<table border="1"> <tr><td>2</td><td>4</td><td>6</td><td>8</td><td>10</td><td>12</td><td>14</td><td>16</td><td>18</td><td>20</td><td>22</td><td>24</td><td>26</td><td>28</td><td>30</td><td>32</td></tr> <tr><td>□</td><td>□</td><td>□</td><td>□</td><td>□</td><td>□</td><td>□</td><td>□</td><td>□</td><td>□</td><td>□</td><td>□</td><td>□</td><td>□</td><td>□</td><td>□</td></tr> </table>	2	4	6	8	10	12	14	16	18	20	22	24	26	28	30	32	□	□	□	□	□	□	□	□	□	□	□	□	□	□	□	□	016
2	4	6	8	10	12	14	16	18	20	22	24	26	28	30	32																			
□	□	□	□	□	□	□	□	□	□	□	□	□	□	□	□																			
	<table border="1"> <tr><td>2</td><td>4</td><td>6</td><td>8</td><td>10</td><td>12</td><td>14</td><td>16</td><td>18</td><td>20</td><td>22</td><td>24</td><td>26</td><td>28</td><td>30</td><td>32</td></tr> <tr><td>□</td><td>□</td><td>□</td><td>□</td><td>□</td><td>□</td><td>□</td><td>□</td><td>□</td><td>□</td><td>□</td><td>□</td><td>□</td><td>□</td><td>□</td><td>□</td></tr> </table>	2	4	6	8	10	12	14	16	18	20	22	24	26	28	30	32	□	□	□	□	□	□	□	□	□	□	□	□	□	□	□	□	032
2	4	6	8	10	12	14	16	18	20	22	24	26	28	30	32																			
□	□	□	□	□	□	□	□	□	□	□	□	□	□	□	□																			
	<table border="1"> <tr><td>2</td><td>4</td><td>6</td><td>8</td><td>10</td><td>12</td><td>14</td><td>16</td><td>18</td><td>20</td><td>22</td><td>24</td><td>26</td><td>28</td><td>30</td><td>32</td></tr> <tr><td>□</td><td>□</td><td>□</td><td>□</td><td>□</td><td>□</td><td>□</td><td>□</td><td>□</td><td>□</td><td>□</td><td>□</td><td>□</td><td>□</td><td>□</td><td>□</td></tr> </table>	2	4	6	8	10	12	14	16	18	20	22	24	26	28	30	32	□	□	□	□	□	□	□	□	□	□	□	□	□	□	□	□	A16
2	4	6	8	10	12	14	16	18	20	22	24	26	28	30	32																			
□	□	□	□	□	□	□	□	□	□	□	□	□	□	□	□																			
	<table border="1"> <tr><td>2</td><td>4</td><td>6</td><td>8</td><td>10</td><td>12</td><td>14</td><td>16</td><td>18</td><td>20</td><td>22</td><td>24</td><td>26</td><td>28</td><td>30</td><td>32</td></tr> <tr><td>□</td><td>□</td><td>□</td><td>□</td><td>□</td><td>□</td><td>□</td><td>□</td><td>□</td><td>□</td><td>□</td><td>□</td><td>□</td><td>□</td><td>□</td><td>□</td></tr> </table>	2	4	6	8	10	12	14	16	18	20	22	24	26	28	30	32	□	□	□	□	□	□	□	□	□	□	□	□	□	□	□	□	C16
2	4	6	8	10	12	14	16	18	20	22	24	26	28	30	32																			
□	□	□	□	□	□	□	□	□	□	□	□	□	□	□	□																			
	<table border="1"> <tr><td>2</td><td>4</td><td>6</td><td>8</td><td>10</td><td>12</td><td>14</td><td>16</td><td>18</td><td>20</td><td>22</td><td>24</td><td>26</td><td>28</td><td>30</td><td>32</td></tr> <tr><td>□</td><td>□</td><td>□</td><td>□</td><td>□</td><td>□</td><td>□</td><td>□</td><td>□</td><td>□</td><td>□</td><td>□</td><td>□</td><td>□</td><td>□</td><td>□</td></tr> </table>	2	4	6	8	10	12	14	16	18	20	22	24	26	28	30	32	□	□	□	□	□	□	□	□	□	□	□	□	□	□	□	□	X16
2	4	6	8	10	12	14	16	18	20	22	24	26	28	30	32																			
□	□	□	□	□	□	□	□	□	□	□	□	□	□	□	□																			
	Special types	Z																																

<b>A</b>	TERMINATION STYLE		
		F	M
Right angle solder tail for 1.6 mm thick boards	A		
Straight solder tail for 2.4 mm thick boards	E		
Wire wrap tail	H		

<b>0,8</b>	CONTACT FINISH	
0,8	0.8 µm hard gold over 2 µm nickel	
1,25	1.25 µm hard gold over 2 µm nickel	
2,5	2.5 µm hard gold over 3 µm nickel	
...	other platings on request	

<b>5</b>	TERMINATION FINISH	
5	5 µm tin over nickel	
1,25	1.25 µm gold over nickel on contact area (5mm from the end)	
0,1	0.1 µm gold over nickel	
...	other platings on request	

<b>-001</b>	MARKING FOR SPECIAL TYPES
	Please contact manufacturer.

<b>-NP</b>	Gold flash over nickel palladium over nickel
------------	--

<b>M</b>	TYPE OF CONTACT	
	Female	F
	Male	M

<b>S</b>	TYPE OF TERMINATION	
	Solder	S
	Wrap	W

<b>C1</b>	Complete connector with contact finish of gold
-----------	--

Valukumpu Oy ■ Raivaajantie 1 ■ FI-80100 Joensuu ■ Finland  
 ■ Tel. +358-13-564 320 ■ Fax +358-13-313 600 ■ www.valukumpu.fi  
 ■ e-mail: sales @valukumpu.fi

